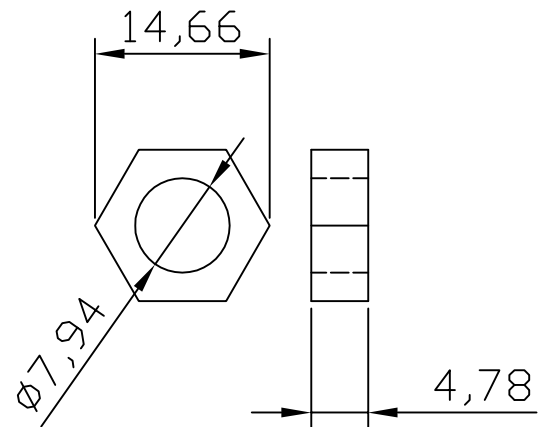


tornillo 5/16-18
unc



tuerca 5/16